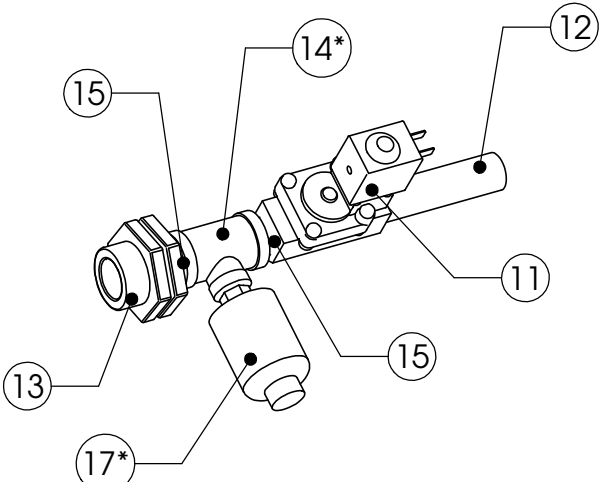
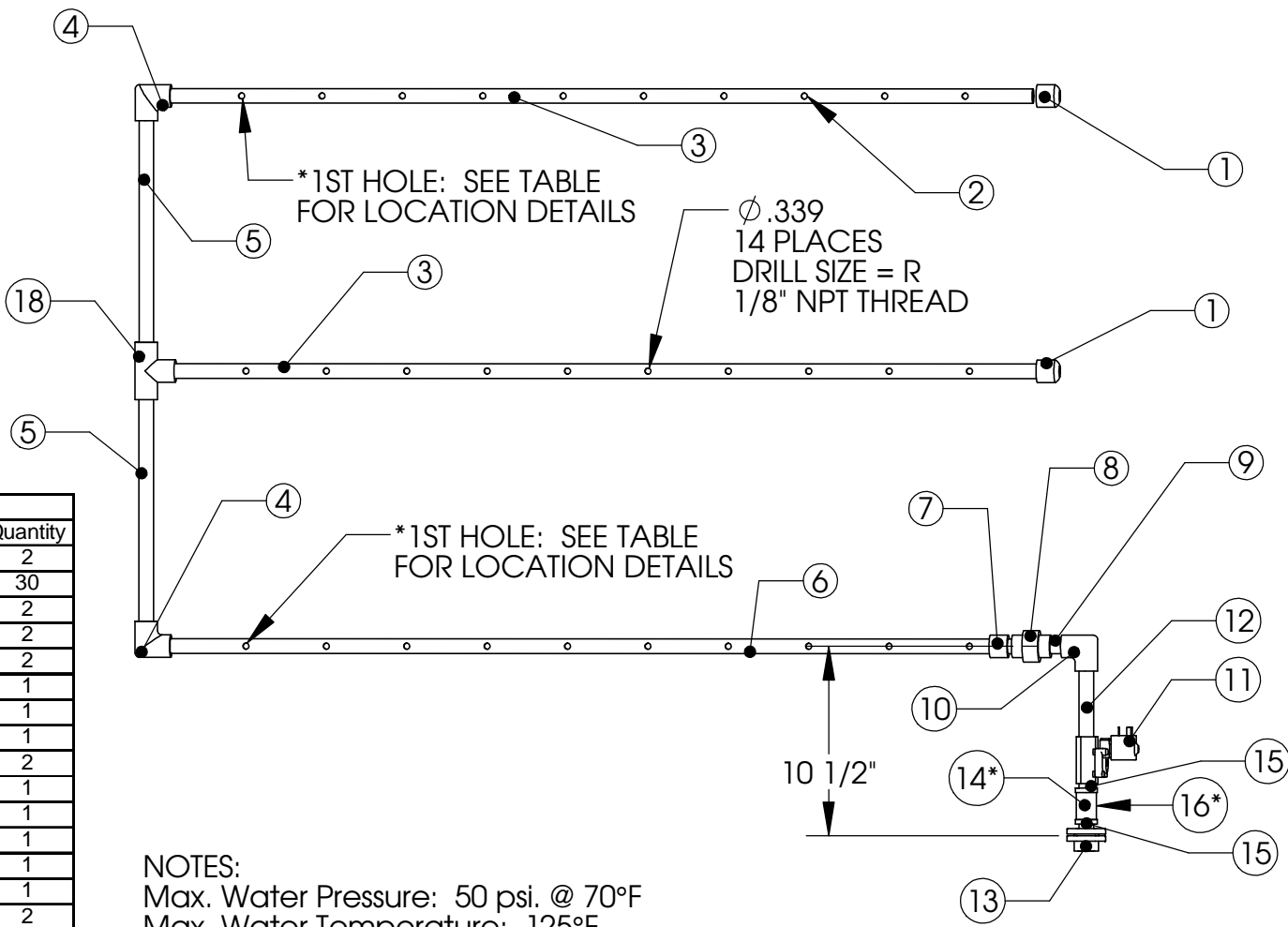


Freeze Protection Option Detail:



*NOTE: Pressure Switch is only installed on units with Freeze protection option. 1/4" connection on TEE is plugged in all standard non-freeze-protection cases.

Spraybar Hole Locations			
Spray Bar Type	1st Hole* distance to end (On Center)	Hole to hole spacing (On Center)	# of Holes on bar (Not Including Elbow or Tee)
Item # 3	3.75"	4.5	10
Item # 7	3.75"	4.5	10



BILL OF MATERIALS

ITEM NUMBER	Description	Quantity
1	1/2" PVC CAP	2
2	CC-213 2.0 GPH ANTI-DRIP NOZZLE	30
3	1/2" x 49" SMOOTH PVC PIPE	2
4	1/2" PVC SMOOTH ELBOW	2
5	1/2" x 14" SMOOTH PVC PIPE	2
6	1/2" x 46-1/2" SMOOTH PVC PIPE	1
7	1/2" PVC MALE NPT x SOCKET	1
8	1/2" PVC NPT UNION	1
9	1/2" x 1-1/4" PVC CLOSE NPT NIPPLE	2
10	1/2" NPT 90° PVC ELBOW	1
11	L180B33Z610A 1/2" SOLENOID VALVE	1
12	1/2" x 5" NPT PVC NIPPLE	1
13	1/2" QUICK SEAL (32-00002)	1
14*	1/2" X 1/4" X 1/2" NPT BRASS TEE (4429K226)	1
15	1/2" CLOSE NPT BRASS NIPPLE (4568K171)	2
16*	1/4" NPT BRASS PLUG (50785K253)	1
17*	1/4" CONNECTION RESSURE SWITCH (EC260)	1
18	1/2" PVC SMOOTH TEE	1

NOTES:
 Max. Water Pressure: 50 psi. @ 70°F
 Max. Water Temperature: 125°F
 Max. Water Flow Rate: 15 GPH
 Max. Temp. Depression: 30°F @ 13333 CFM

Material: N/A
 Blank Size: N/A x N/A
 Weight: N/A lbs

Part Number: N/A
 MACOLA/AX Number:
 Drawing Name: EC 5 Tubing Assembly
 Drawn By: BRH
 Parent Assembly: EC 5
 Sheet: 1 of 2

Unless Otherwise Specified
 Dimensions are in Inches.
 Standard Tolerances are:
 Fractions: ±1/16
 Decimal: .XX±.05
 .XXX±.015
 Angles: ±1°

CONFIDENTIAL